

CERAMIC ALTERNATIVE ULTRA LOW PROFILE SMD

L26

49U-SMD-L26



Being of the small and ultra low profile small size SMD type and featuring high efficiency in mounting, the L26 is ideal for application to high-density circuit boards. Excellent environmental characteristics have been guided, due to the use of the proven resistance weld metal package.

□ FEATURES

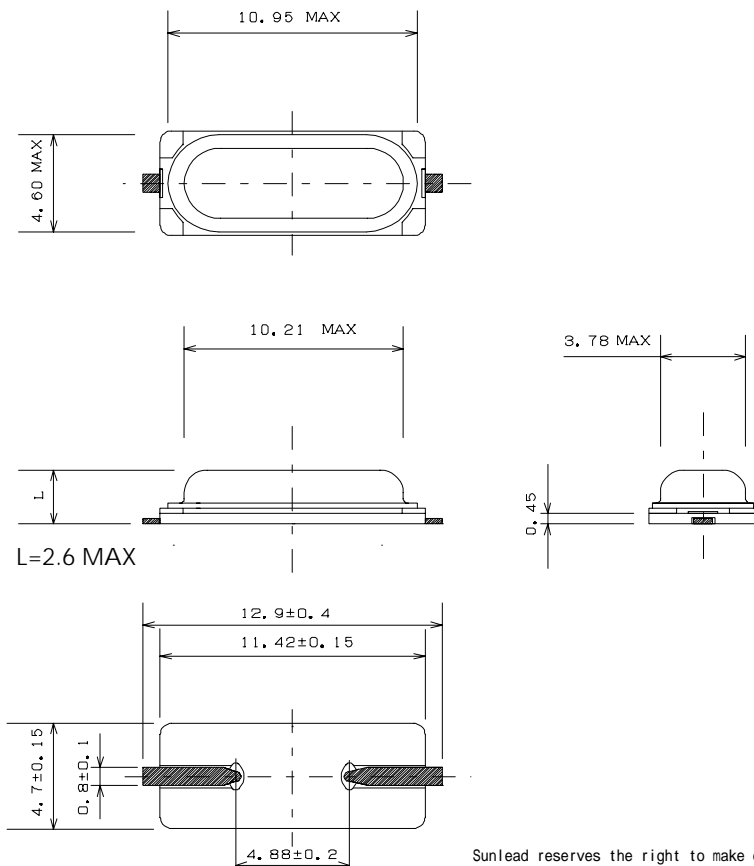
- Ultra low profile standard SMD type. (2.6mm max. height)
- Proven resistance weld metal package.
- Ideal for low frequency application. (Below 5MHz)
- 1,000 pcs/reel.
- IR reflow ready.

□ STANDARD SPECIFICATIONS

Frequency range	3.5MHz to 36MHz	22MHz to 46MHz	32MHz to 65MHz
Mode of oscillation	AT Fundamental	BT Fundamental	AT 3rd OT
Tolerance at 25°C±3°C	±30 x 10 ⁻⁶		
Frequency stability for -10°C to +60°C	±50 x 10 ⁻⁶	±100 x 10 ⁻⁶	±50 x 10 ⁻⁶
Operating temperature range	-40°C to +85°C		
Storage temperature range	-55°C to +125°C		
Equivalent series resistance	See table		
Drive level	100 μW typical		
Load capacitance	12pF to 32pF or series		

□ OUTLINE DRAWINGS

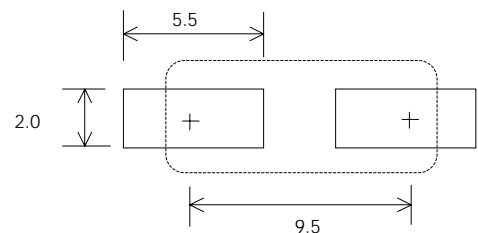
Dimensions in mm. Do not scale.



□ ESR TABLE

	Frequency Range (MHz)	Maximum ESR (Ω)
AT Fundamental	3.5 - 4.0	180
	4.0 - 5.0	150
	5.0 - 6.0	120
	6.0 - 7.0	100
	7.0 - 9.0	80
	9.0 - 13.0	60
	13.0 - 20.0	50
	20.0 - 36.0	40
BT	22.0 - 46.0	40
OT	32.0 - 65.0	80

□ SUGGESTED SOLDER PAD



Sunlead reserves the right to make changes to the product(s) and service(s) described herein without

SUNLEAD CO.,LTD.

854 Uchino Nishiku Niigata 950-2112 JAPAN
Tel:81-25-263-3300 Fax:81-25-263-3133

LF25EB1C