

水晶振動子 49/U

CRYSTAL UNIT -49/U

HC-49/U

**特徴**

金属パッケージ抵抗溶接により高信頼性を確保
高度な水晶加工技術

Features

Proven resistance weld metal package.
Advanced crystal processing technology.

一般仕様 / Standard Specifications

1. 一般情報 / General Information

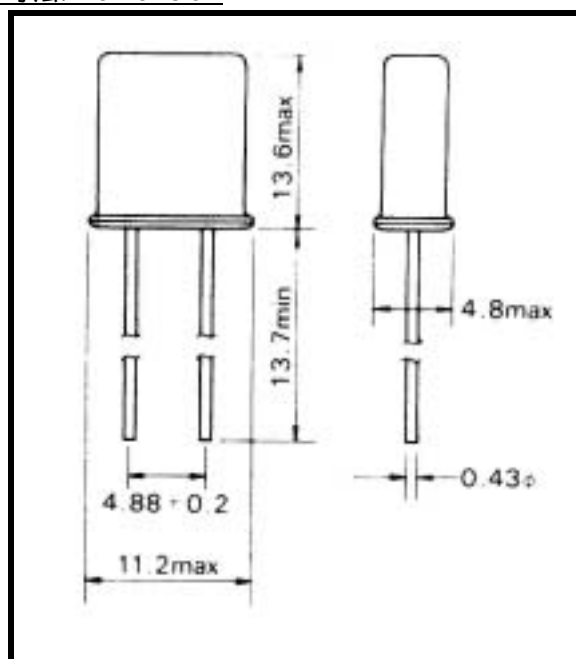
SUNLEAD Spec. : 49/U

Holder Type : HC-49/U (Resistance Weld)

2. 電気特性 / Electrical Specifications

Parameters	Specifications
Frequency Range	1.500000MHZ ~ 30.000000MHZ
Mode of Vibration	AT-Fundamental
Load Capacitance	30 PF (Standard)
Drive Level	500 μ W Max
Equivalent Series Resistance	See Table
Frequency Tolerance	± 100 PPM
Frequency Stability Over Temperature	± 50 PPM
Operating Temperature Range	-10 to +60
Storage Temperature Range	-40 to +85
Aging at 25 1st. Year	± 5 PPM

3. 外形寸法 / Demension



4. Table

Frequency Range	Maximum ESR
1.500 ~ 1.600MHZ	600
1.600 < ~ 2.000MHZ	500
2.000 < ~ 2.500MHZ	400
2.500 < ~ 3.000MHZ	300
3.000 < ~ 3.500MHZ	180
3.500 < ~ 4.000MHZ	100
4.000 < ~ 5.000MHZ	80
5.000 < ~ 7.000MHZ	50
7.000 < ~ 13.000MHZ	30
13.000 < ~ 30.000MHZ	20